

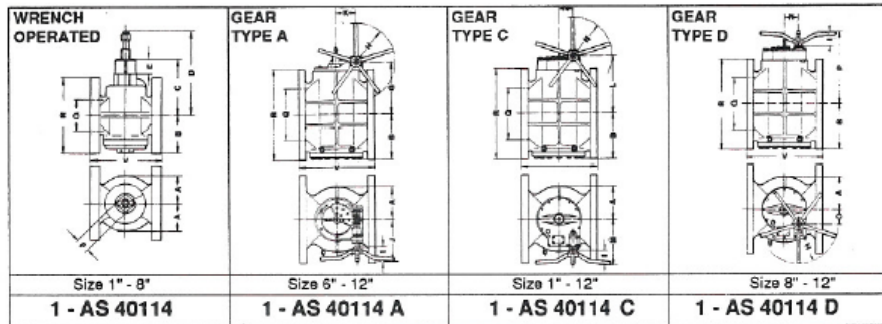


PR LUBRICATED PLUG VALVE

NEOVALVES

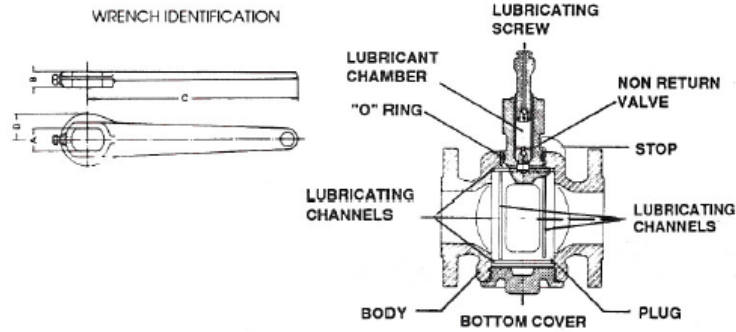
Class	Max. CWP	Test Pressure	Pattern	Connections	Port	Materials Body & Cover	Plug	Operation
125	200 Psi	Shell 300 Psi Seat 220 Psi	Straight-way Short	Flanges F.F. ANSI B 16.1 Face to Face ANSI B 16.10	Rectangular	Semi Steel ASTM A.126 Class B	Semi Steel ASTM A.126 Class B	Manual

- ANSI Class 125
- Working Pressure 200 PSI
- C.G.A. Approved
- Regular Pattern
- Rectangular Port



Diam.	A	B	C	D	E	F	G	H	I	J	K	L	M	N	O	P	Q	R	V
1"	25	51	75	110	17	17		45	16			73	104	32			25	108	140
1 1/2"	34	64	95	143	20	24		45	16			95	104	32			38	127	165
2"	42	74	106	166	21	27		150	101			115	181	47			51	152	178
2 1/2"	48	85	120	180	23	30		150	101			130	181	47			64	178	191
3"	67	105	130	190	33	36		150	101			132	181	47			76	191	203
4"	76	120	151	231	40	50		150	101			153	195	65			102	229	229
5"	94	145	173	253	42	55		150	101			156	195	65			127	254	254
6"	120	145	214	294	53	55	183	150	101	195	71	163	195	71			152	279	267
8"	120	184	252	332	53	55	205	214	101	268	84	267	268	85	46	390	203	343	292
10"	140	220	302	382	65	65	251	300	101	273	120	313	293	100	70	437	254	406	330
12"	185	258	354	434	73	70	278	300	101	273	120	338	293	100	70	464	305	483	356

A= Wrench No.	B	C	D
17	14	140	20
19	16	150	22
24	18	200	26
27	20	225	30
30	22	280	33
36	26	330	38
50	40	420	52
55	45	815	58
65	50	940	70
70	50	1090	76



*Neo Valves carries a wide range of Plug Valves. For more information please contact your nearest Neo Valves representative.



NOTE: Due to continuous development of our range of valves, we reserve the right to alter the dimensions and information contained in all our literature as required.

430 Norfinch Drive, Downsview, Ont. M3N 1Y4 • Phone: (416) 661-6020 Fax: (416) 661-6787