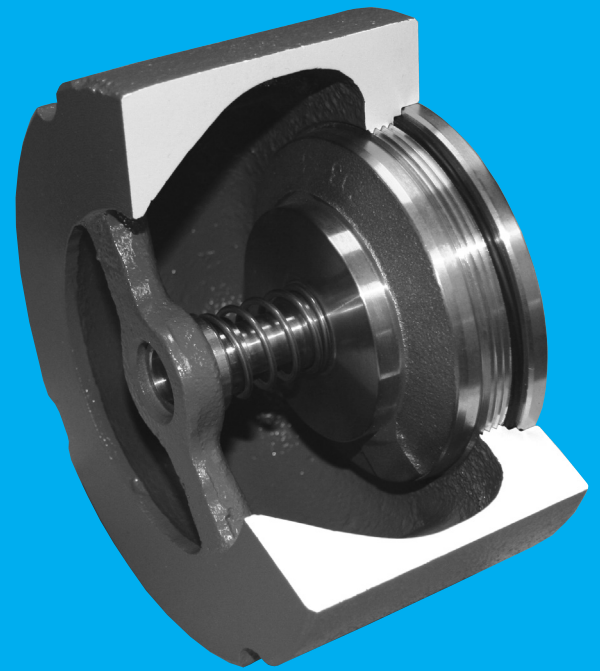


SHHH... SHHH

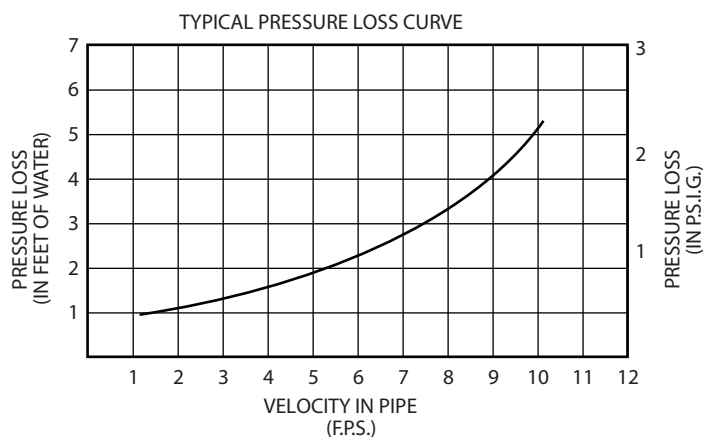
S HOCK- PROOF PIPING SYSTEMS


1400 SERIES

with **VAL-MATIC**[®] **WAFER STYLE Silent Check Valves**

Designed and engineered for silent operation with low head loss in a compact wafer body. Specially designed spring controls the closure of Val-Matic Silent Check Valves. . . closing valve disc in advance of flow reversal, thereby reducing the potential for water hammer and damaging shock normally associated with valve shut-off.

Tear-Drop Contour allows streamline flow and combined with Full Pipe Size Area of Inner Body assures minimal pressure drop.



NOTE: For specific valve size pressure loss curve....
See Drawing Number 1404.

VAL-MATIC SILENT CHECK VALVES ARE ENGINEERED FOR SILENT OPERATION / LOW HEAD LOSS *Plus* . . .

- Shortest Feasible Face-to-Face Dimensions
- Lightweight, Space-Saving Wafer Design
- Easily Replaceable Parts
- Functions Equally Well in All Positions
- Simple Flange-Supported Installation
- Cast Iron Body/Bronze or Stainless Steel Trim
- Metal to Metal Seating Standard - Optional Resilient Seating Available

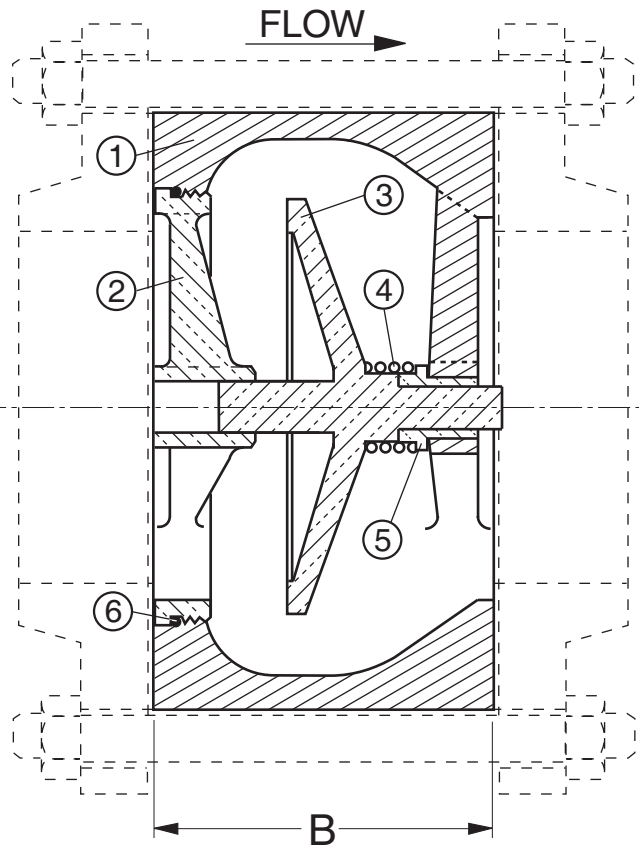
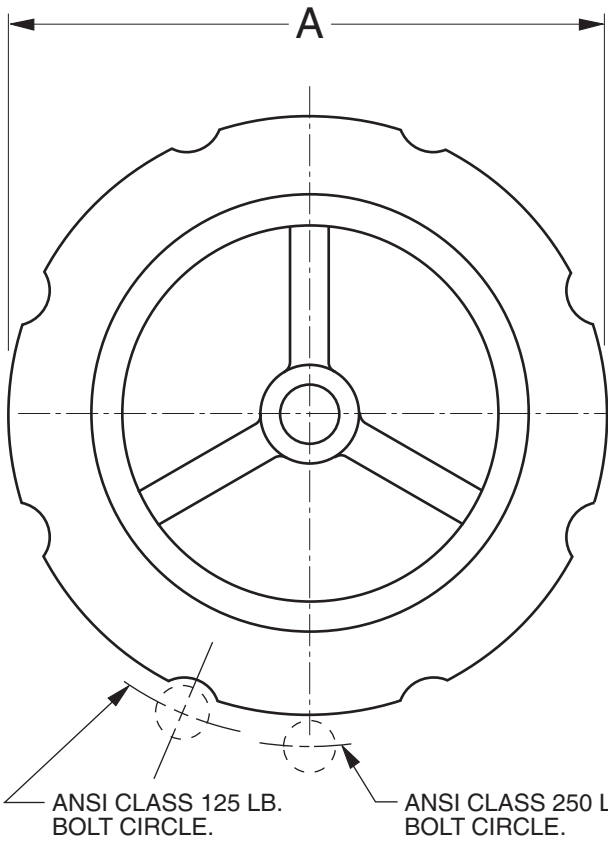
NOTE:

1. Recommended for Liquid Service Only.
2. Flanged Globe Style Valves also Available in 2 1/2" through 42" . . .
See Val-Matic Bulletin 1800.

VAL-MATIC[®]

VAL-MATIC VALVE & MANUFACTURING CORP.

905 RIVERSIDE DR. • ELMHURST, IL 60126 • P: 630-941-7600 • F: 630-941-8042
VALVES@VALMATIC.COM • WWW.VALMATIC.COM



<u>PART NO.</u>	<u>NAME</u>	<u>PART NO.</u>	<u>NAME</u>
1	BODY	4	SPRING
2	SEAT	5	BUSHING
3	DISC	6	O-RING



SEE DRAWING NO. VM-1402A-M FOR STANDARD MATERIALS OF CONSTRUCTION.

VALVE SIZE	MODEL* NO.	ANSI CLASS	CWP (P.S.I.)	A	B
2	1402A	125/250	400	4 1/4	2 5/8
2 1/2	1425A	125/250	400	5	2 7/8
3	1403A	125/250	400	5 3/4	3 1/8
4	1404A	125/250	400	7	4
5	1405A	125/250	400	8 3/4	4 3/4
6	1406A	125/250	400	9 3/4	5 1/2
8	1408A	125	200	13 3/8	6 1/2
8**	1458A	250	400	13 3/8	6 1/2
10	1410A	125	200	16	8 1/4
10**	1460A	250	400	16	8 1/4

* MODEL NUMBERS REFLECT BRONZE TRIM.
 ** NOT FM APPROVED.



VAL-MATIC VALVE & MANUFACTURING CORP.

905 RIVERSIDE DR. • ELMHURST, IL 60126 • P: 630-941-7600 • F: 630-941-8042
 VALVES@VALMATIC.COM • WWW.VALMATIC.COM